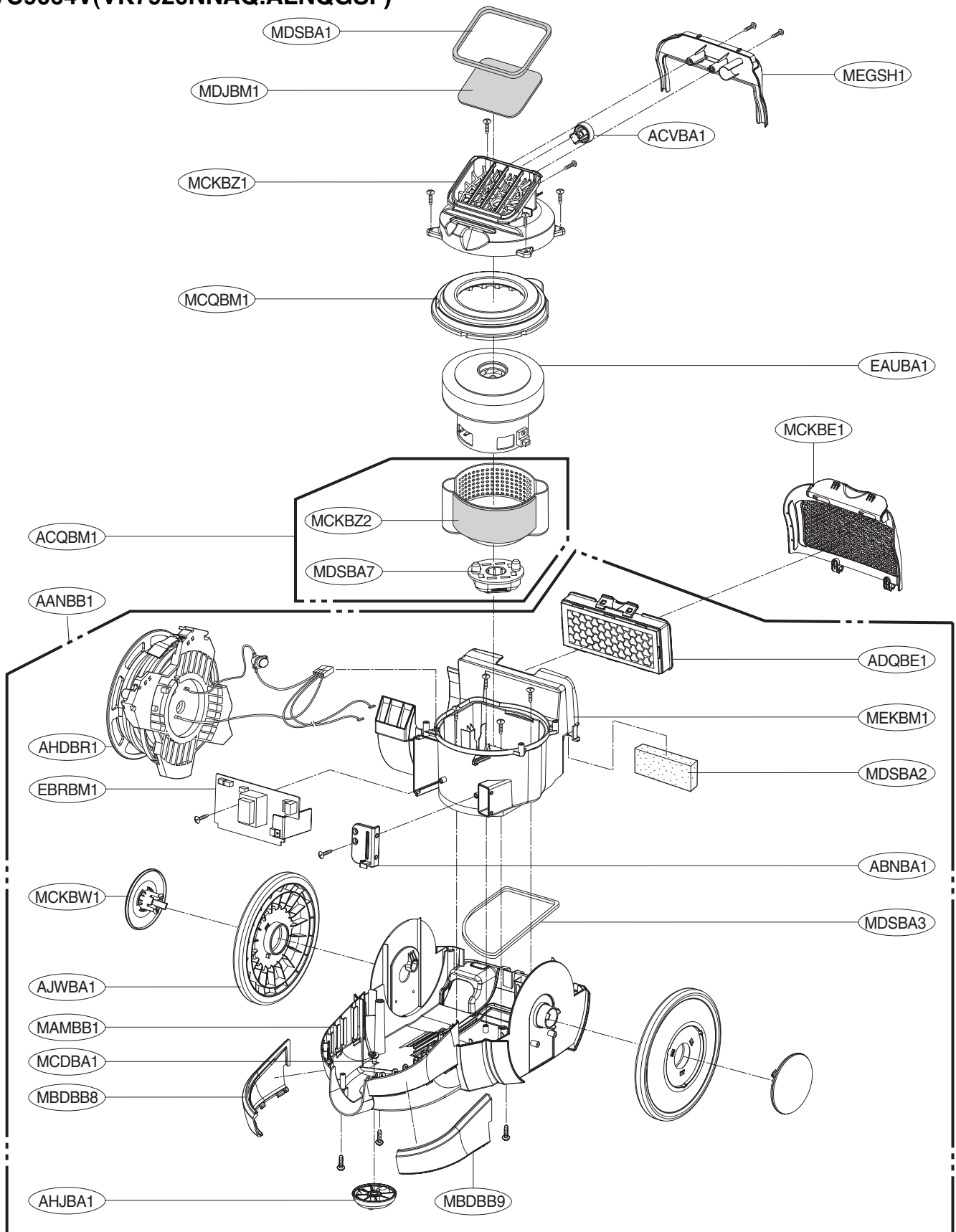


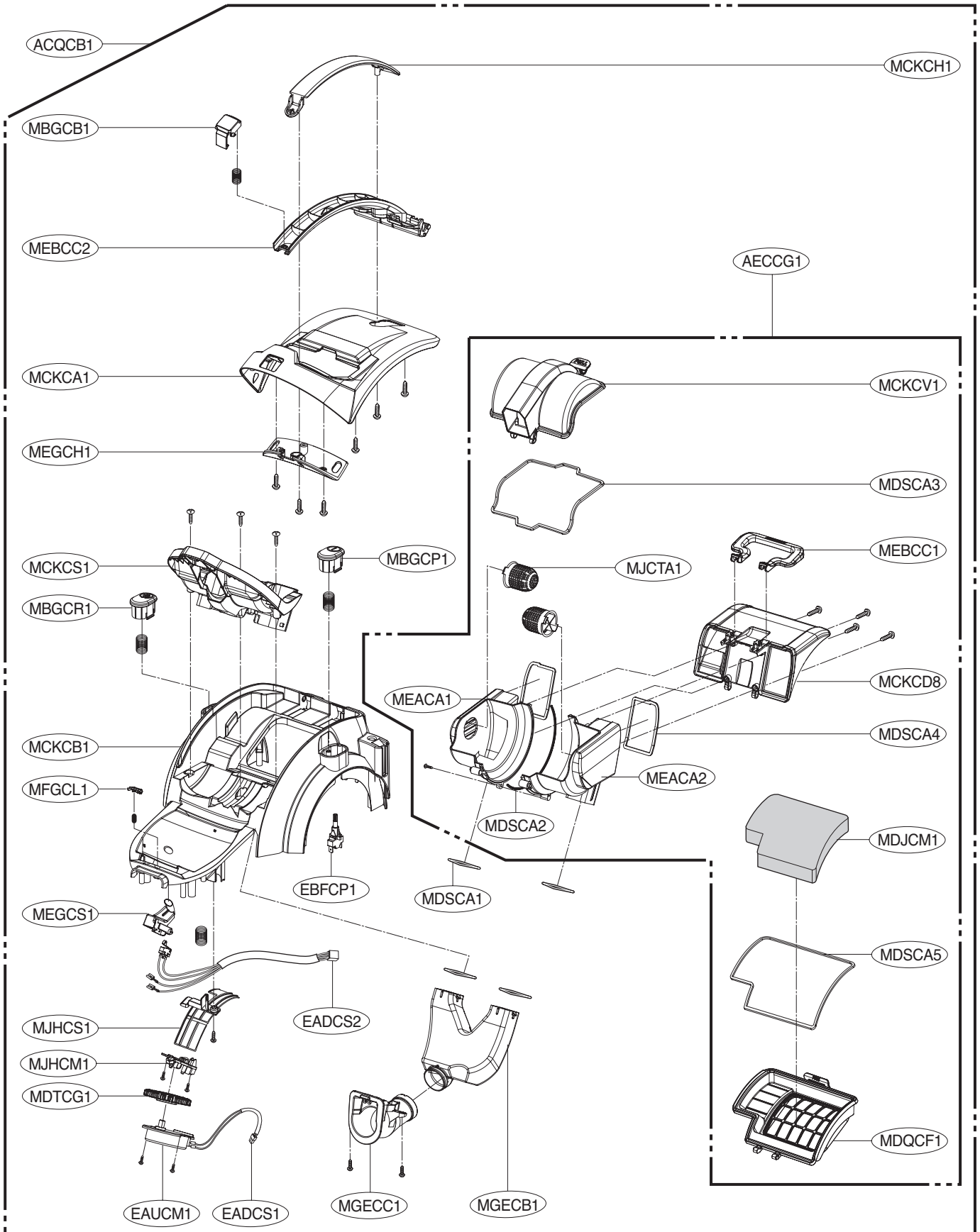
# EXPLODED VIEW

## BODY BASE ASSEMBLY

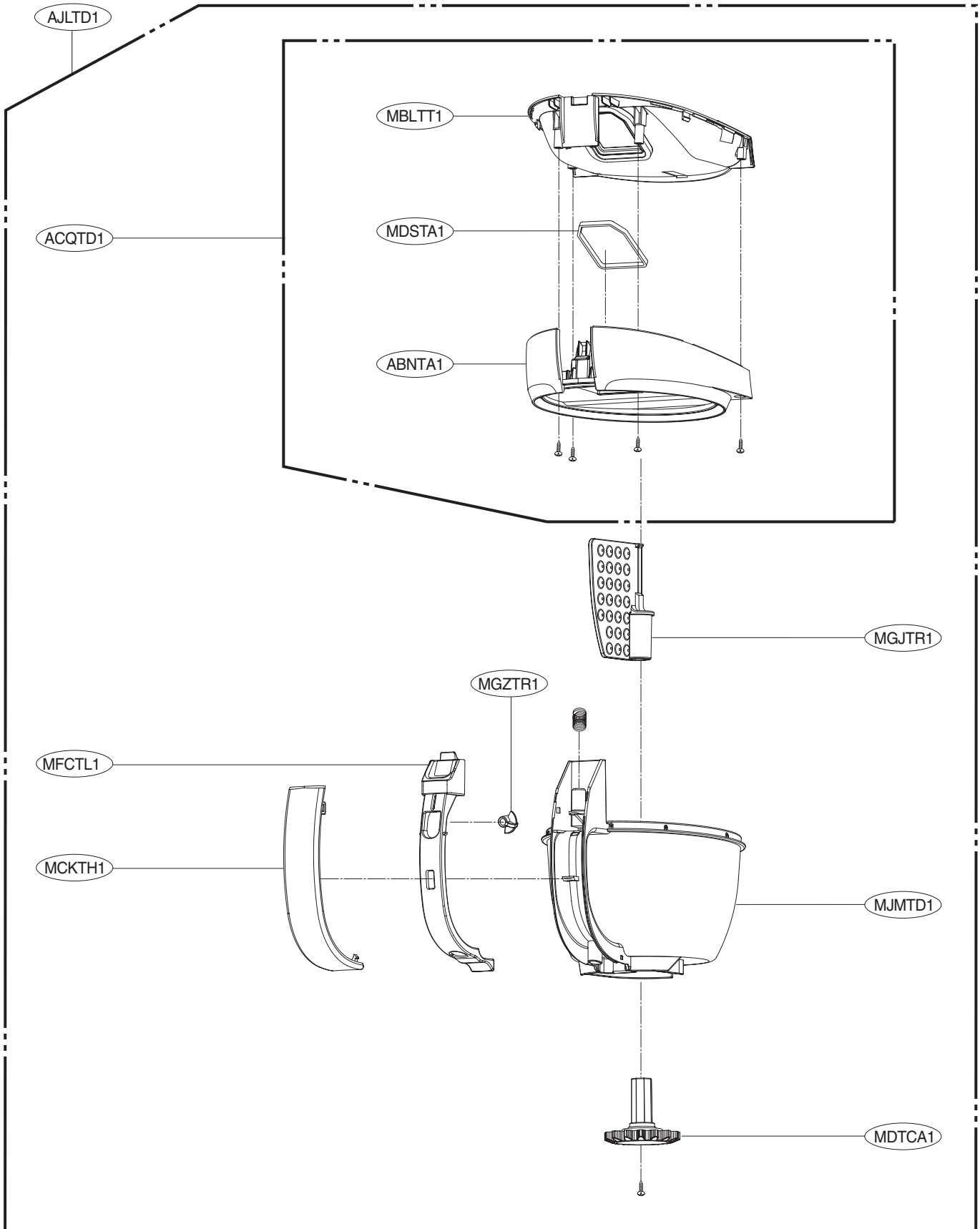
VK7918NNAQ(VK7918NNAQ.AQZQECZ)  
VC9064V(VK7920NNAQ.ALNQGSF)



# BODY COVER ASSEMBLY



# DUST TANK ASSEMBLY



# ACCESSORIES

