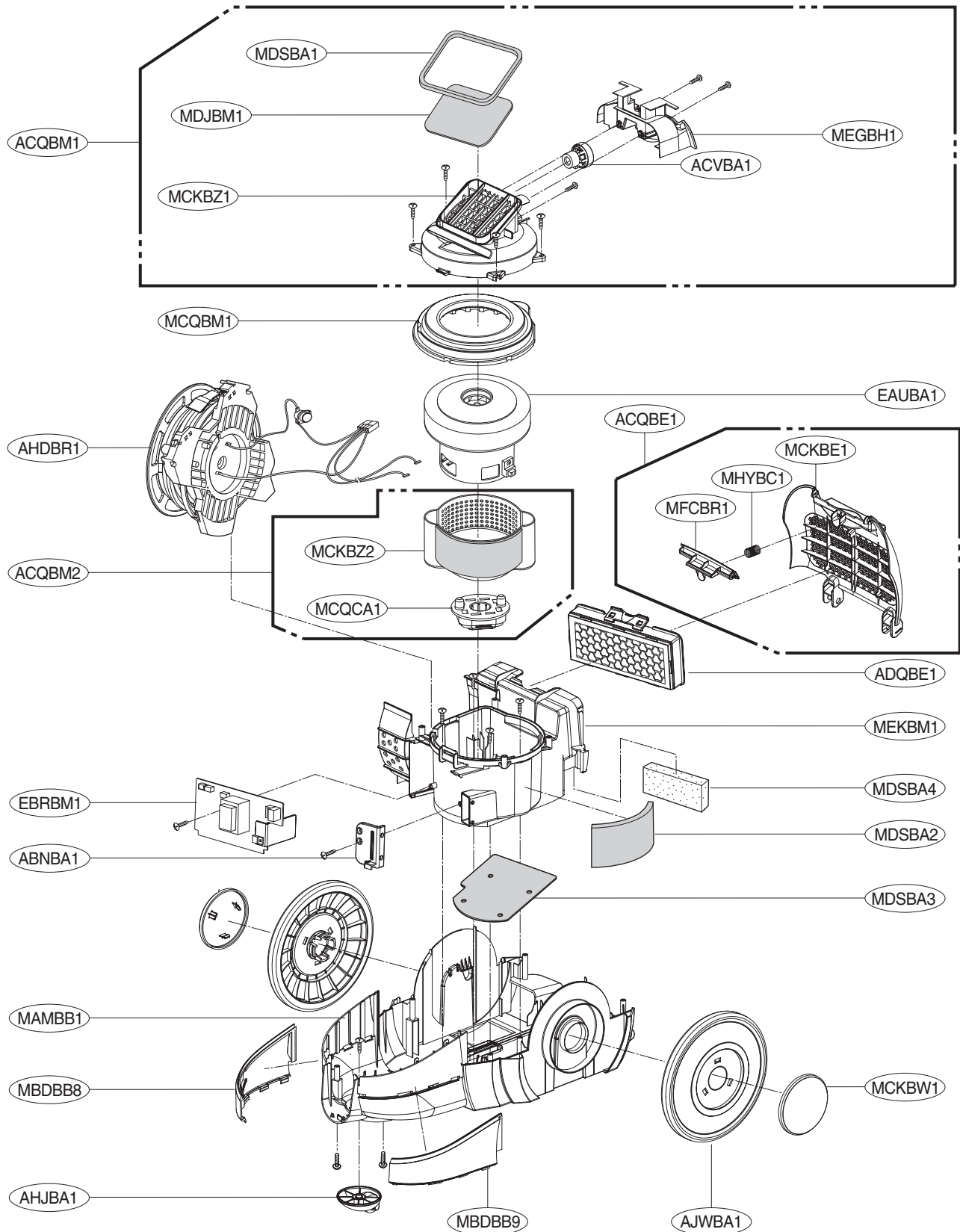


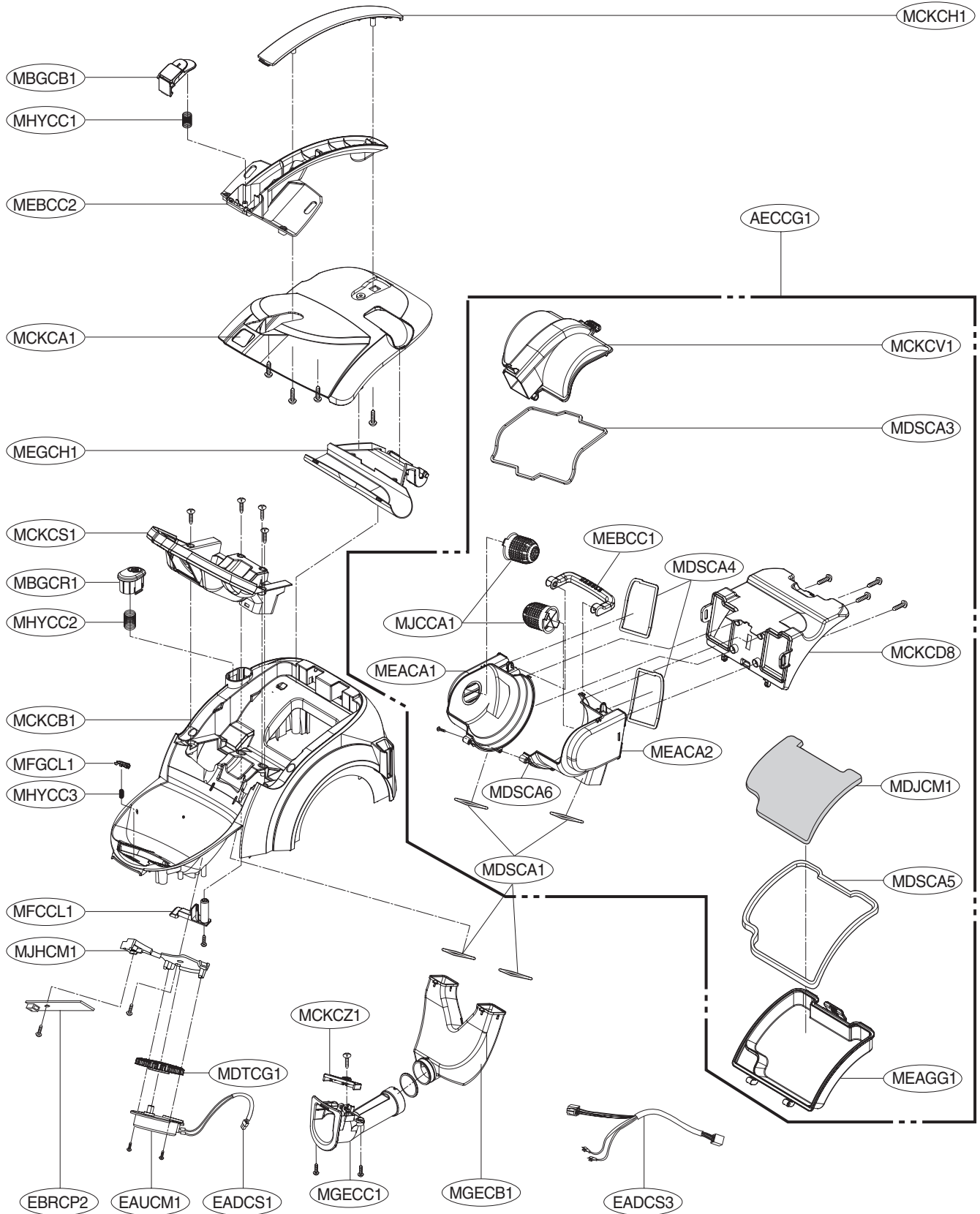
# EXPLODED VIEW

## BASE ASSEMBLY, BODY

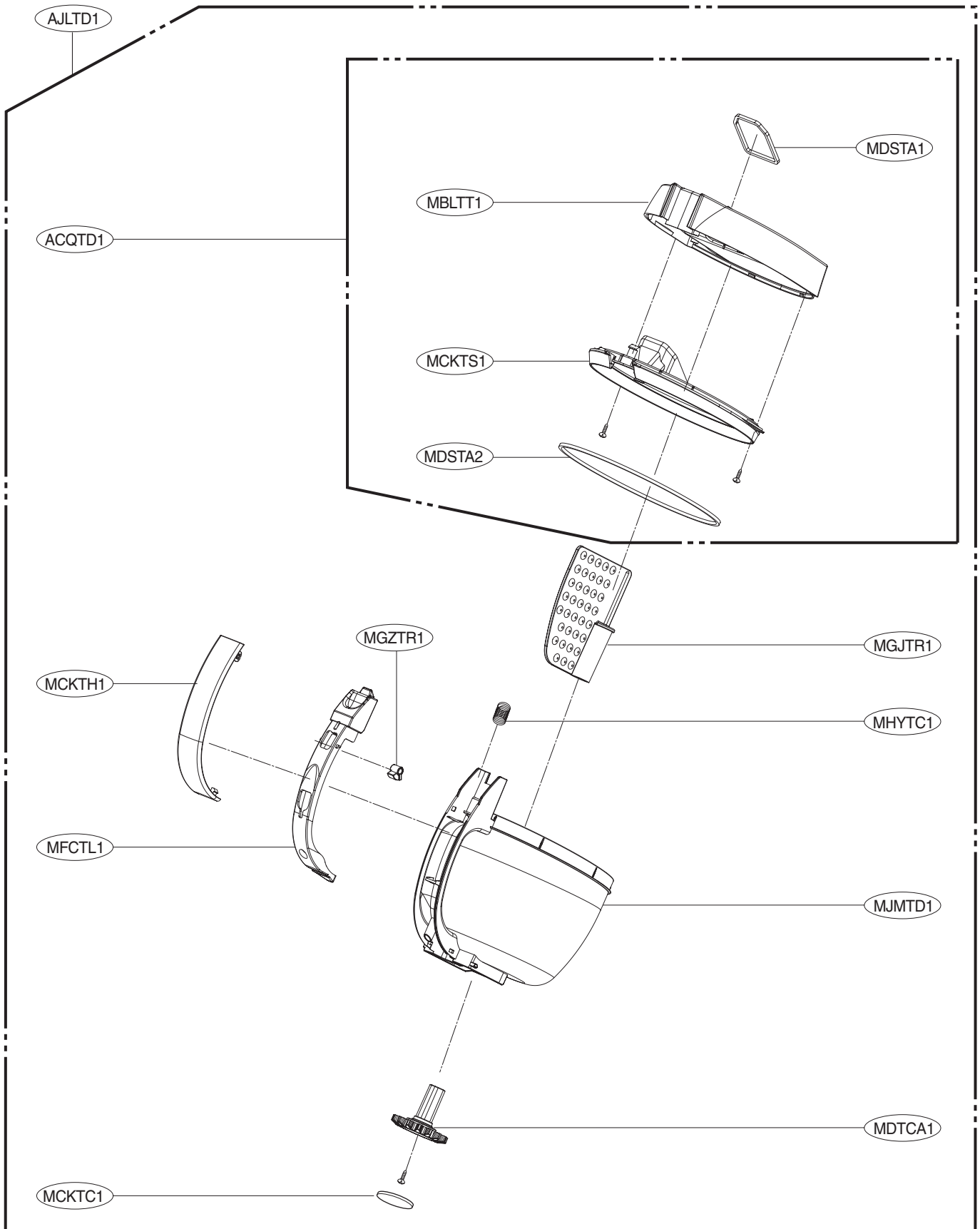
VC9093S / VC9094R / VC9196FS



# COVER ASSEMBLY, BODY



# TANK ASSEMBLY, DUST



# ACCESSORIES

