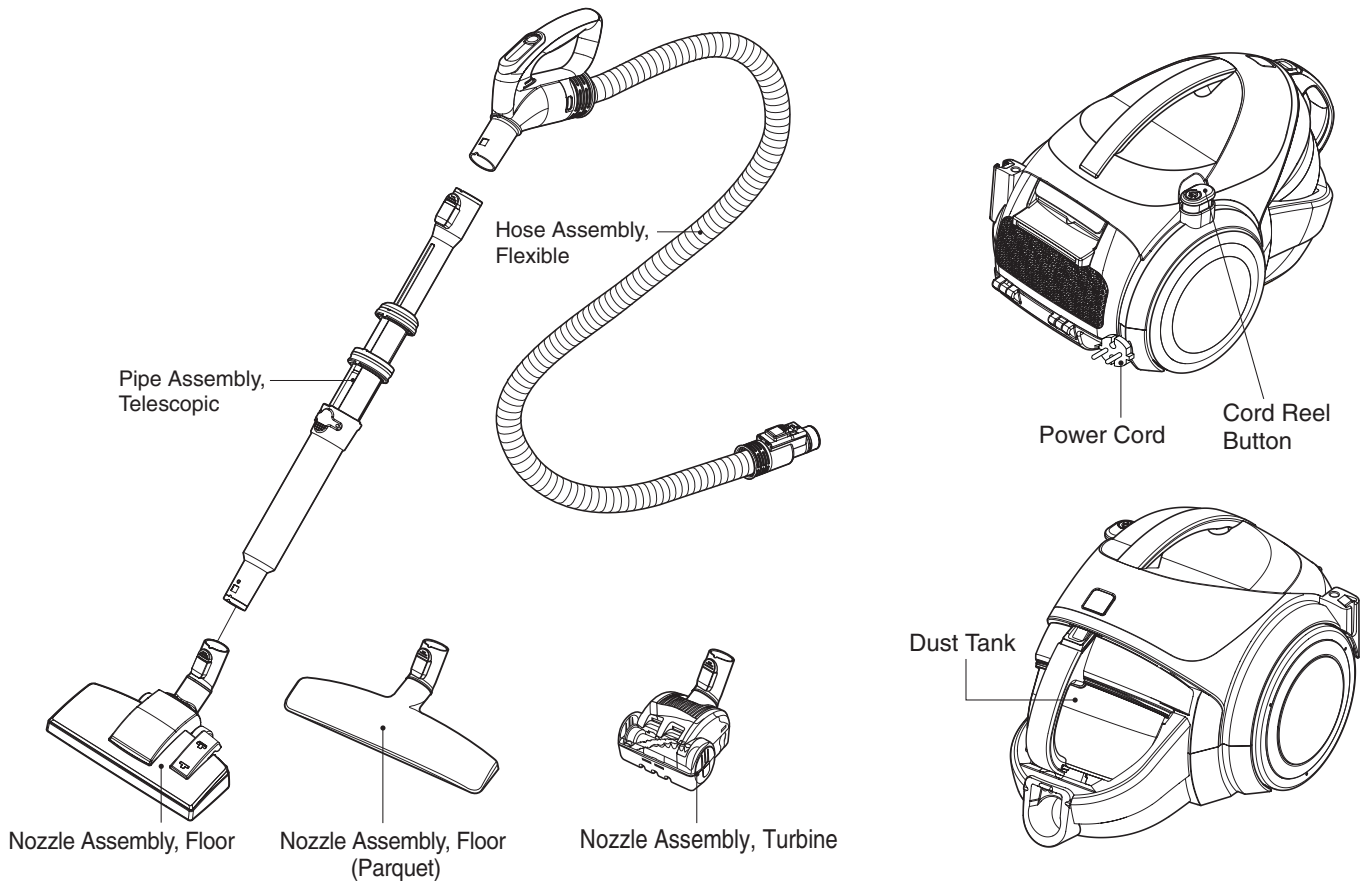
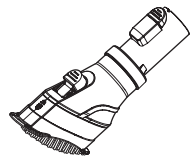


# DESCRIPTION



## CANISTER

### ATTACHMENTS



BRUSH ASSEMBLY, DUST



NOZZLE, CREVICE

# SPECIFICATIONS

- **MODEL** : REFER TO THE COVER PAGE
- **POWER SOURCE** : ON RATING PLATE
- **POWER CONSUMPTION** : ON RATING PLATE
- **POWER CONTROL** :
  - MAIN : SLIDE KNOB CONTROL (F/HOSE)
- **CORD LENGTH** : 9m
- **HOSE LENGTH** : 1.8 m
- **NET WEIGHT** : 6.4 kg
- **PACKING WEIGHT** : 10.5 kg
- **NET DIMENSION** : 492 × 290 × 330 (D × W × H)

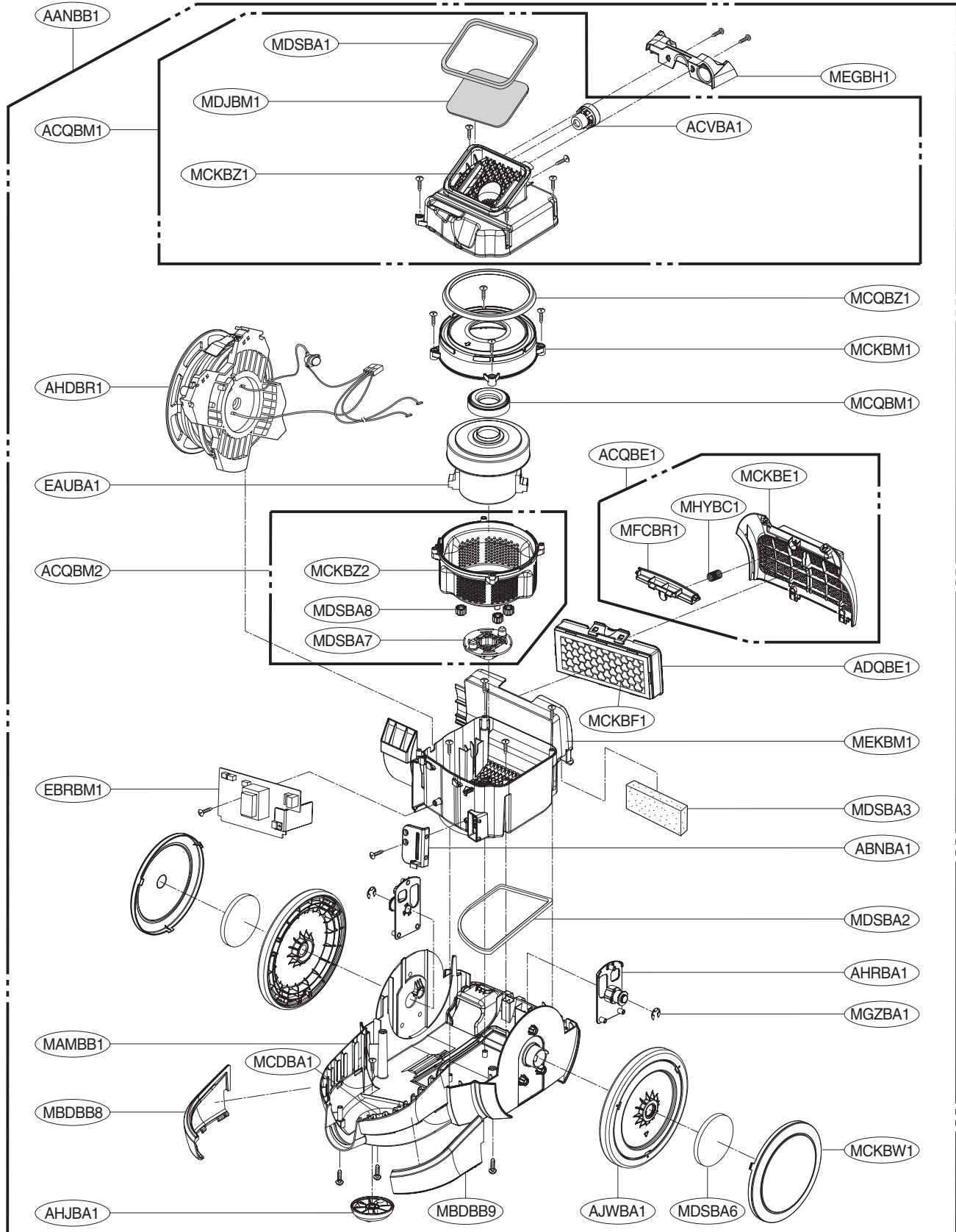
- **PACKING DIMENSION** : 650 × 330 × 367 (D × W × H)
- **ATTACHMENTS**
  - HOSE ASSEMBLY, FLEXIBLE.....1EA
  - PIPE ASSEMBLY, TELESCOPIC .....1EA
  - NOZZLE ASSEMBLY, FLOOR.....1EA
  - NOZZLE ASSEMBLY, FLOOR (PARQUET).....1EA
  - NOZZLE ASSEMBLY, TURBINE .....1EA
  - BRUSH ASSEMBLY, DUST .....1EA
  - NOZZLE, CREVICE.....1EA

• This specifications are subject to change according to the buyer's request.

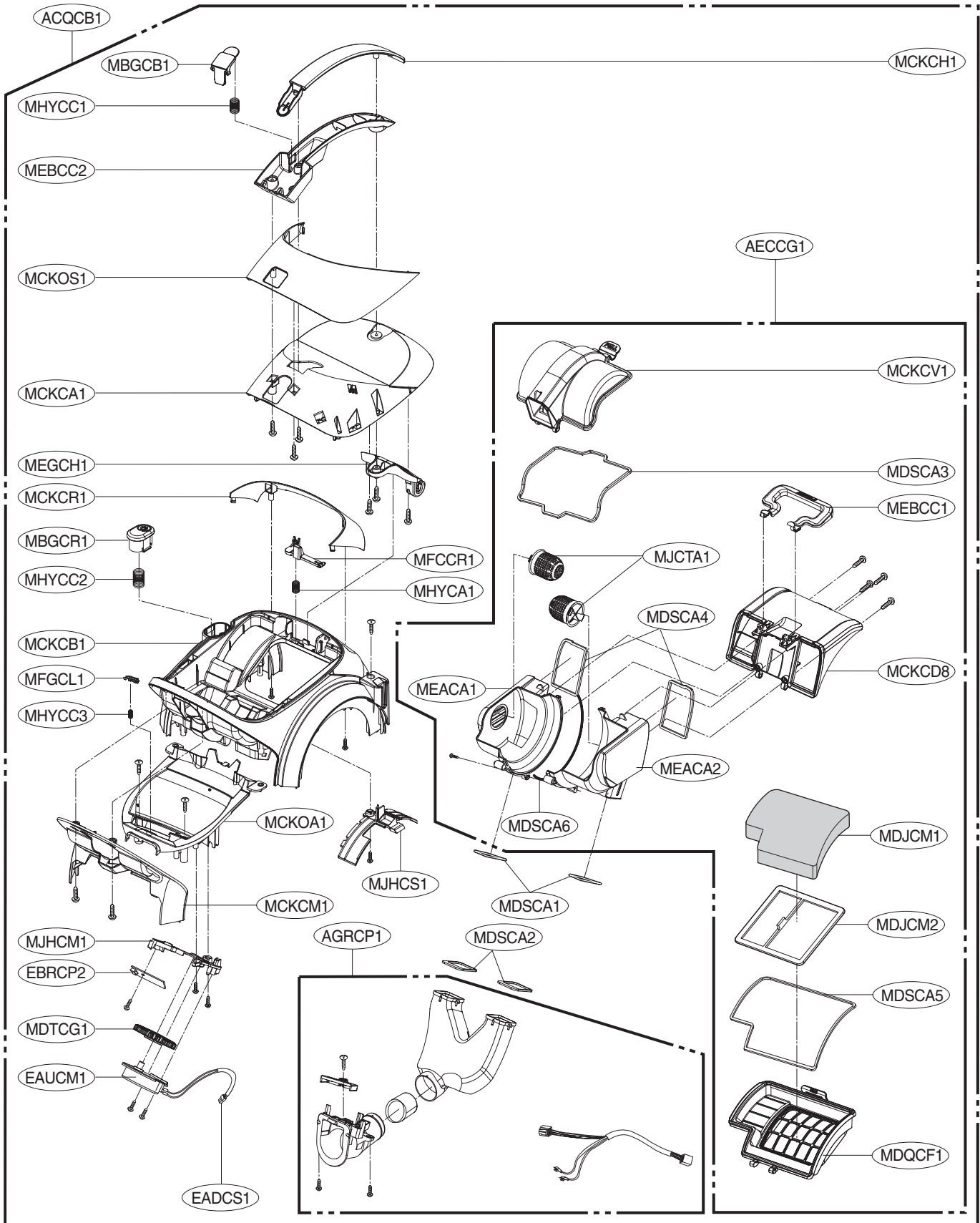
# EXPLODED VIEW

# BASE ASSEMBLY, BODY

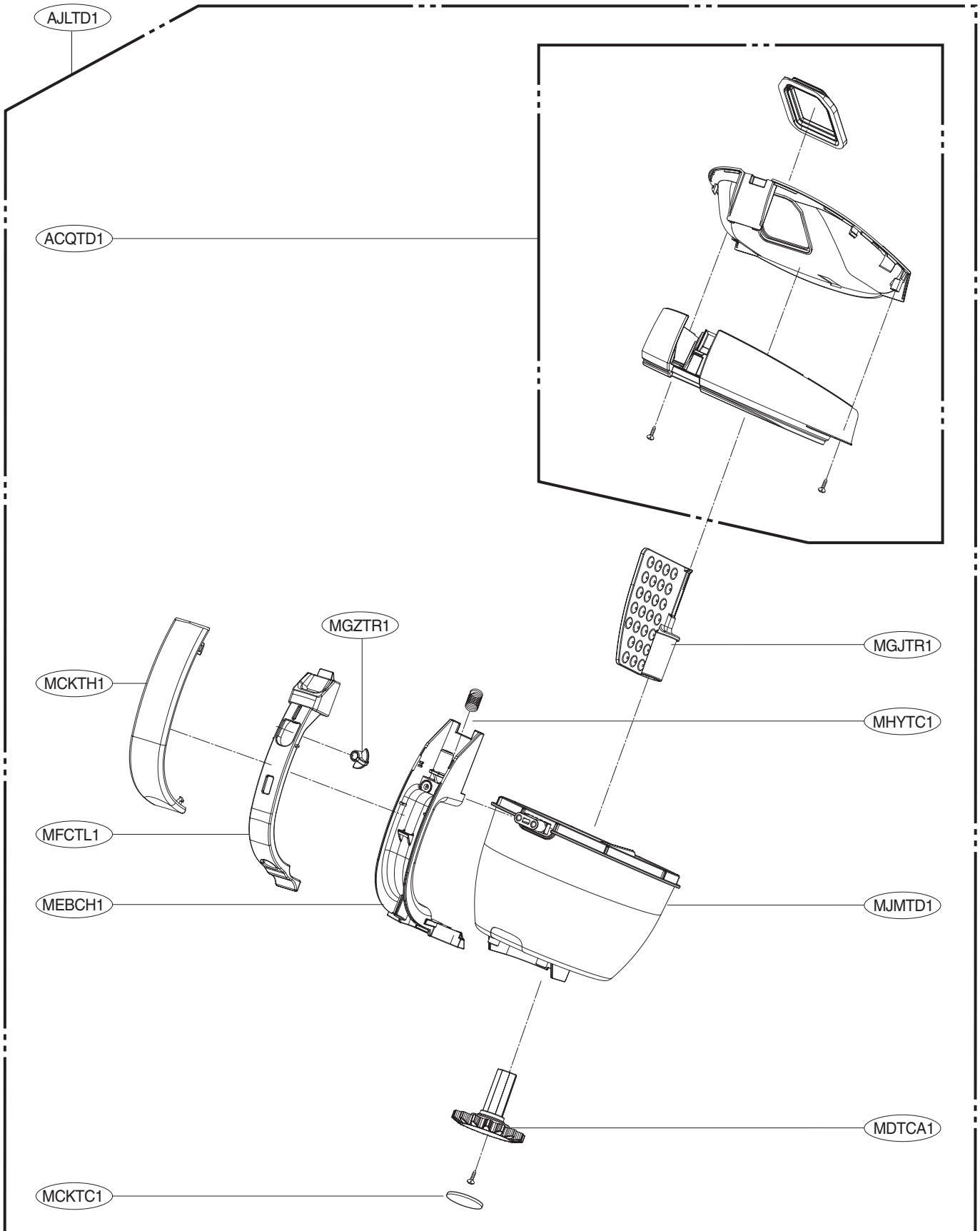
VC9212CV4 / VC9213R4



# COVER ASSEMBLY, BODY



# TANK ASSEMBLY, DUST



# ACCESSORIES

