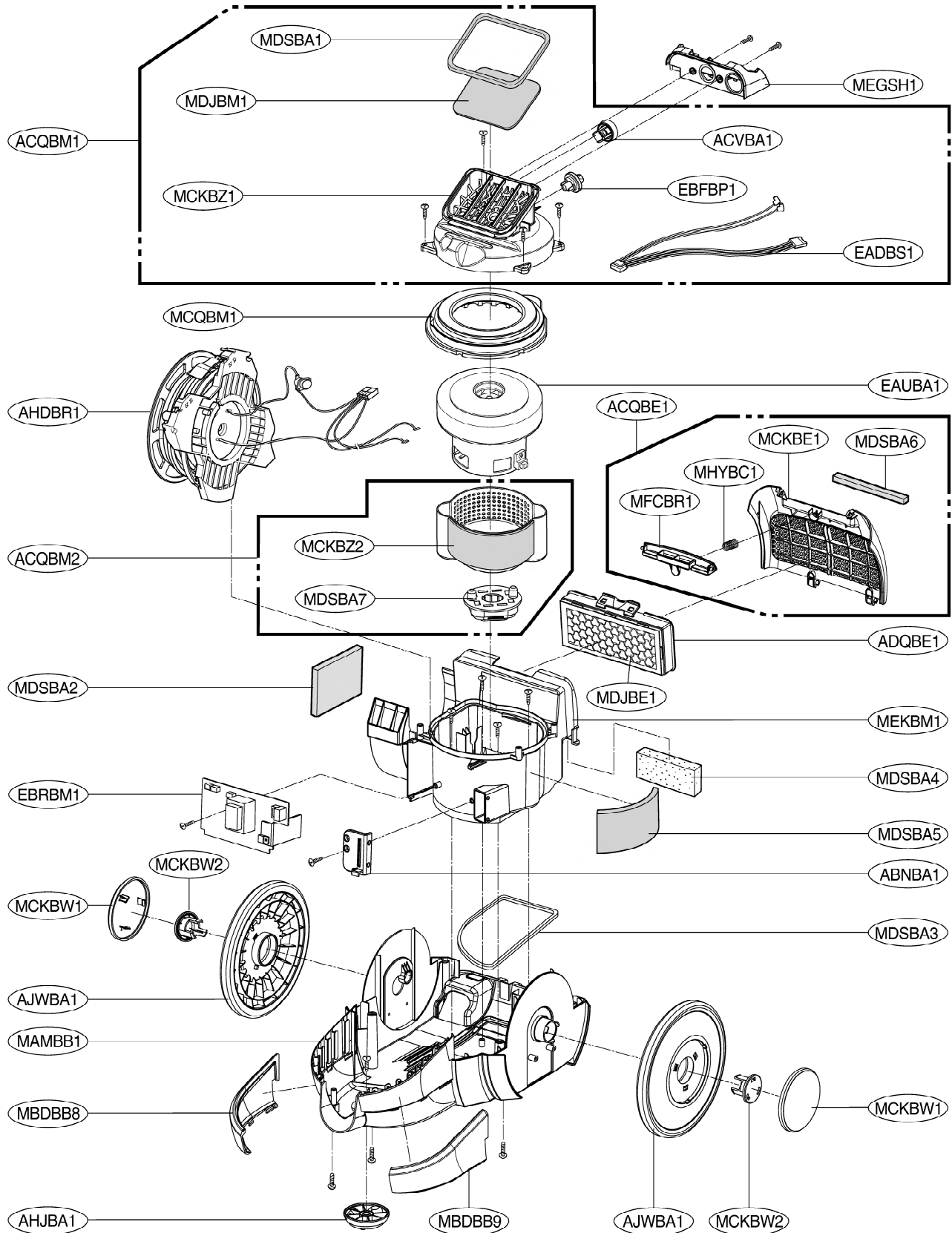


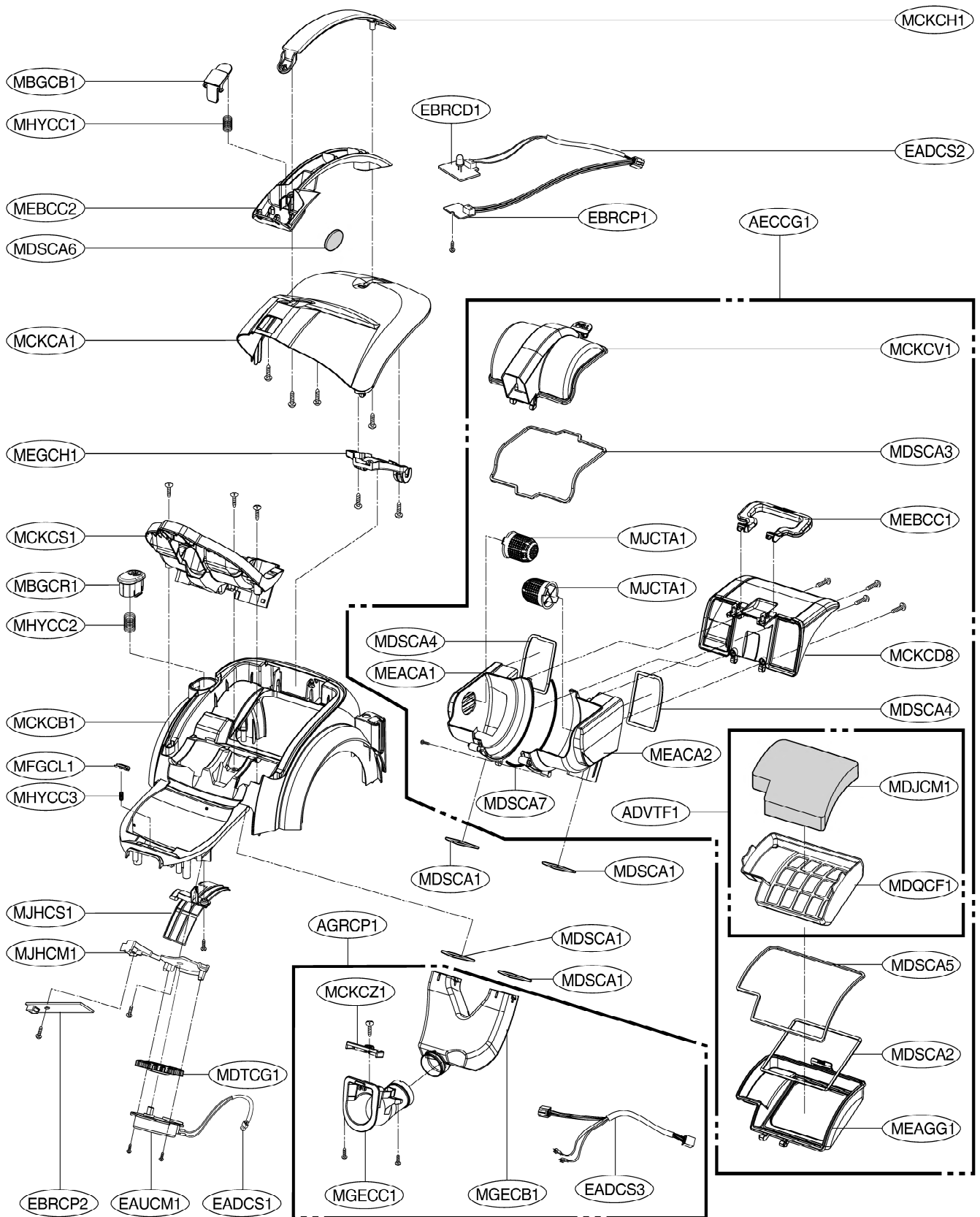
EXPLODED VIEW

BASE ASSEMBLY, BODY

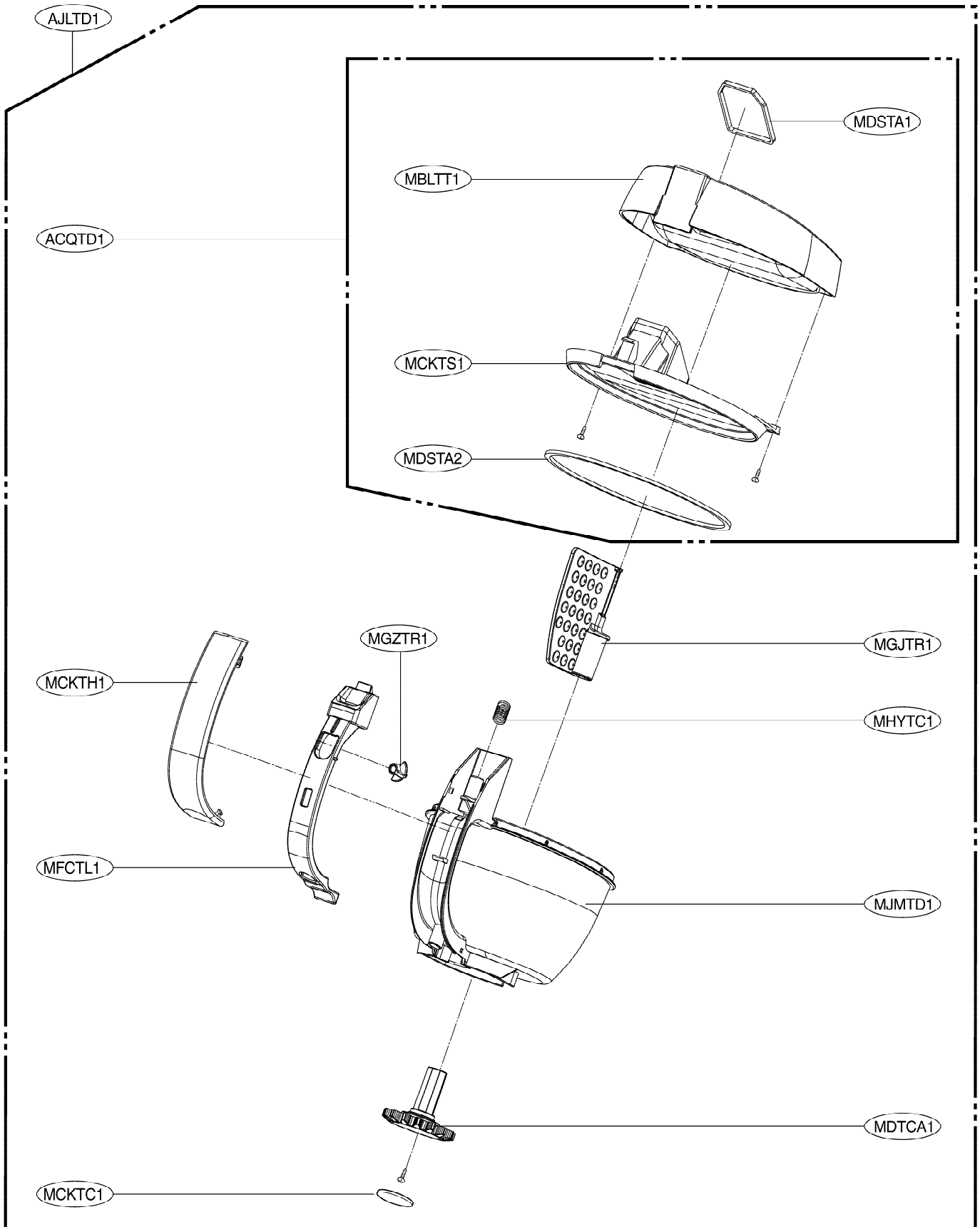
VC9084DT(VK8820NHAUY.ATVQBWT)
VC9085FS (VK8820NHAQT.APTQGSF)



COVER ASSEMBLY, BODY



TANK ASSEMBLY, DUST



ACCESSORIES

