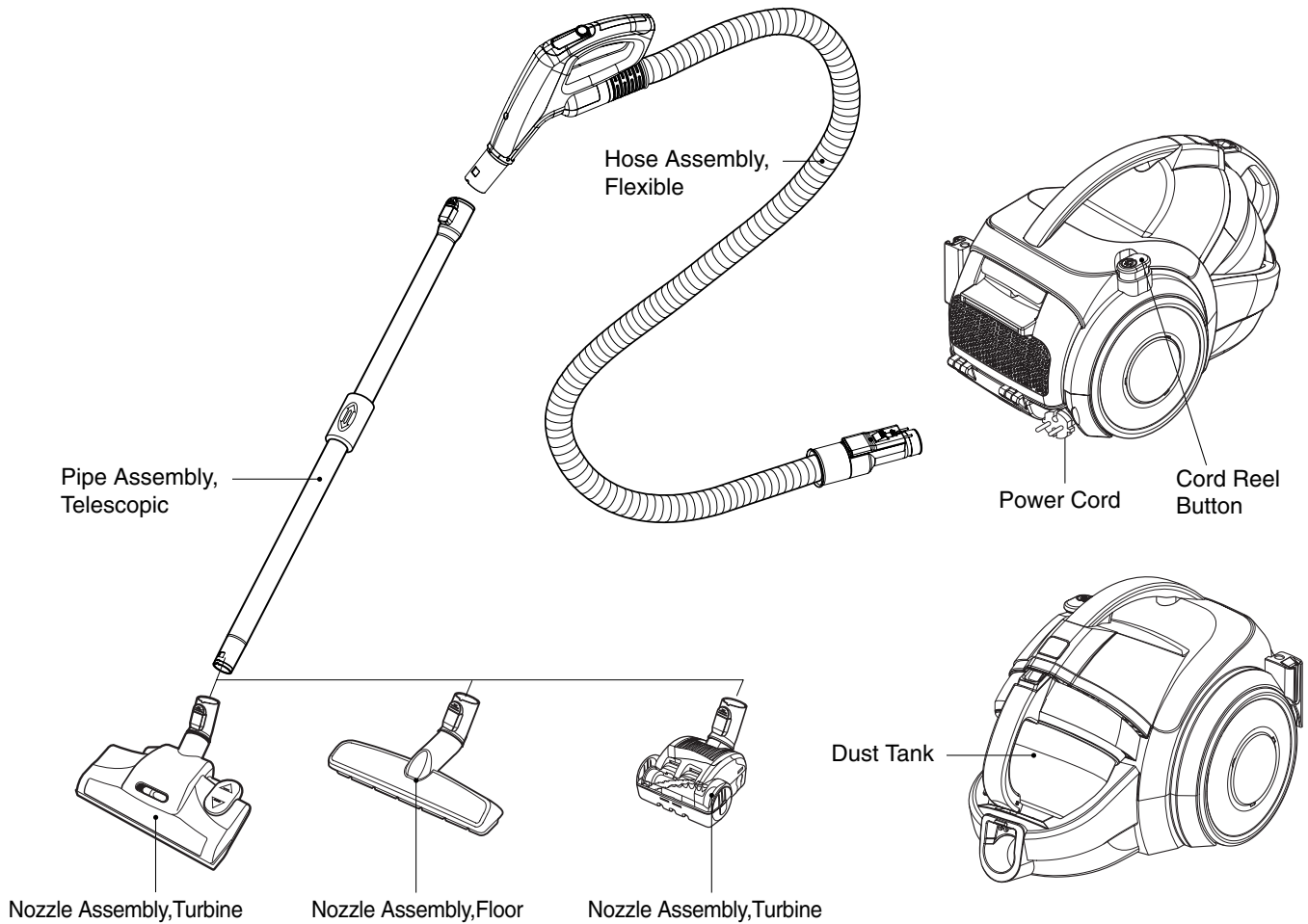
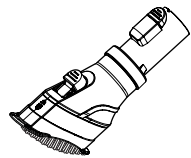


DESCRIPTION



CANISTER

ATTACHMENTS



BRUSH ASSEMBLY, DUST



NOZZLE, CREVICE

SPECIFICATIONS

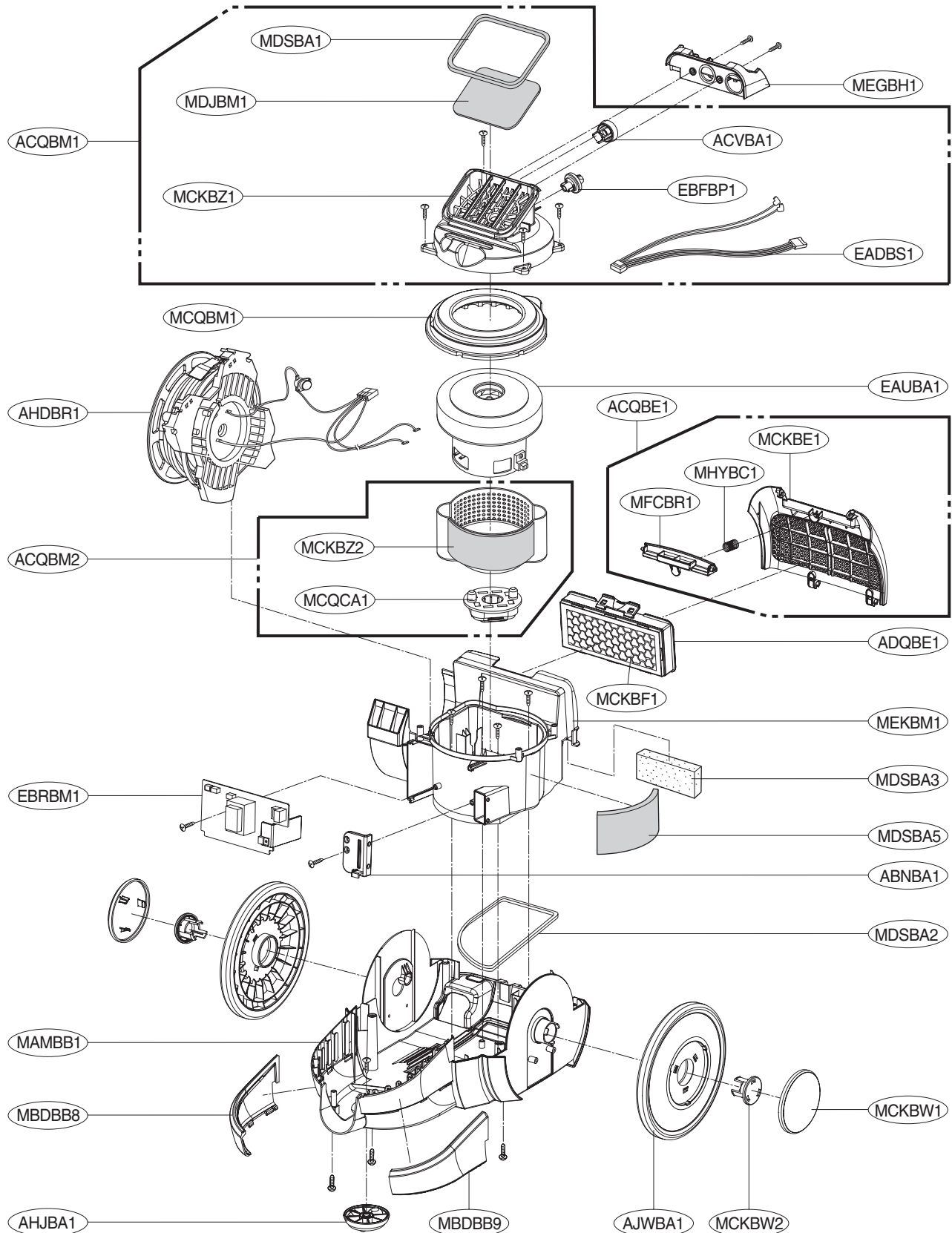
- **MODEL** : REFER TO THE COVER PAGE
- **POWER SOURCE** : ON RATING PLATE
- **POWER CONSUMPTION** : ON RATING PLATE
- **POWER CONTROL** :
 - MAIN : SLIDE KNOB CONTROL (F/HOSE)
- **CORD LENGTH** : 9m
- **HOSE LENGTH** : 1.7 m
- **NET WEIGHT** : 5.5 kg
- **PACKING WEIGHT** : 10.0 kg
- **NET DIMENSION** : 440 × 285 × 300 (D × W × H)

- **PACKING DIMENSION** : 645 × 330 × 360 (D × W × H)
- **ATTACHMENTS**
 - HOSE ASSEMBLY, FLEXIBLE.....1EA
 - PIPE ASSEMBLY, TELESCOPIC1EA
 - NOZZLE ASSEMBLY, FLOOR.....1EA
 - NOZZLE ASSEMBLY, TURBINE2EA
 - BRUSH ASSEMBLY, DUST1EA
 - NOZZLE, CREVICE.....1EA

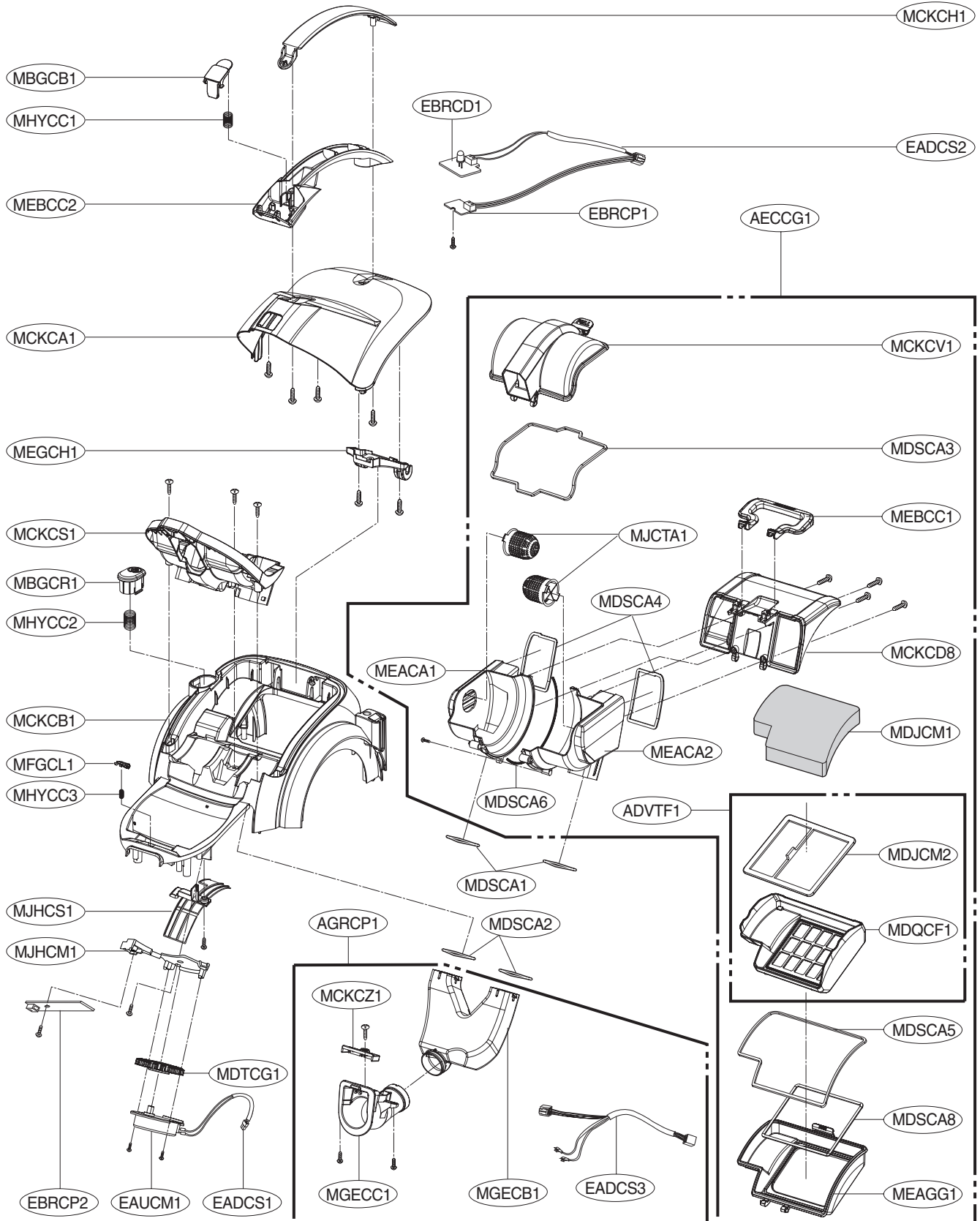
• This specifications are subject to change according to the buyer's request.

EXPLODED VIEW

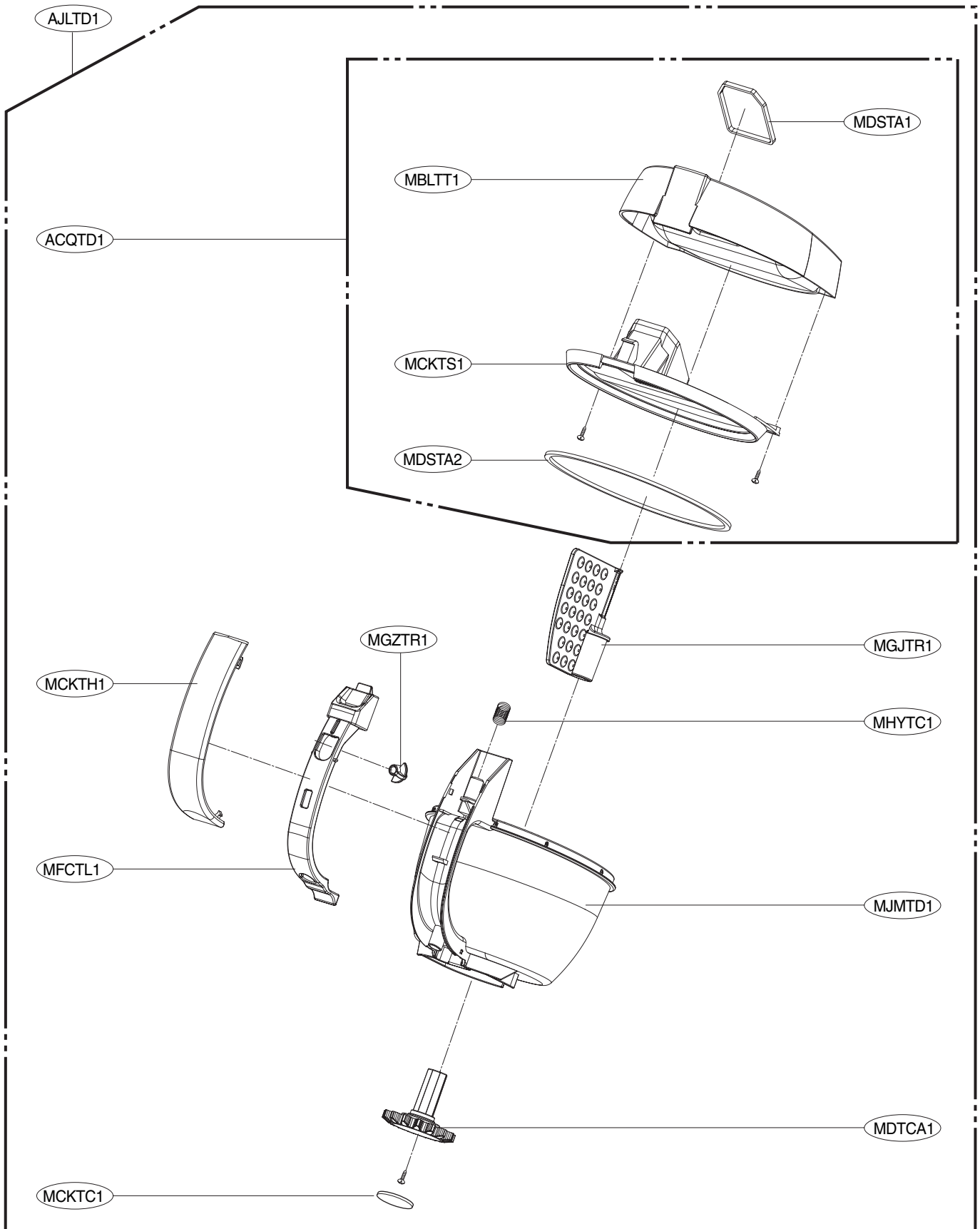
BASE ASSEMBLY, BODY



COVER ASSEMBLY, BODY



TANK ASSEMBLY, DUST



ACCESSORIES

