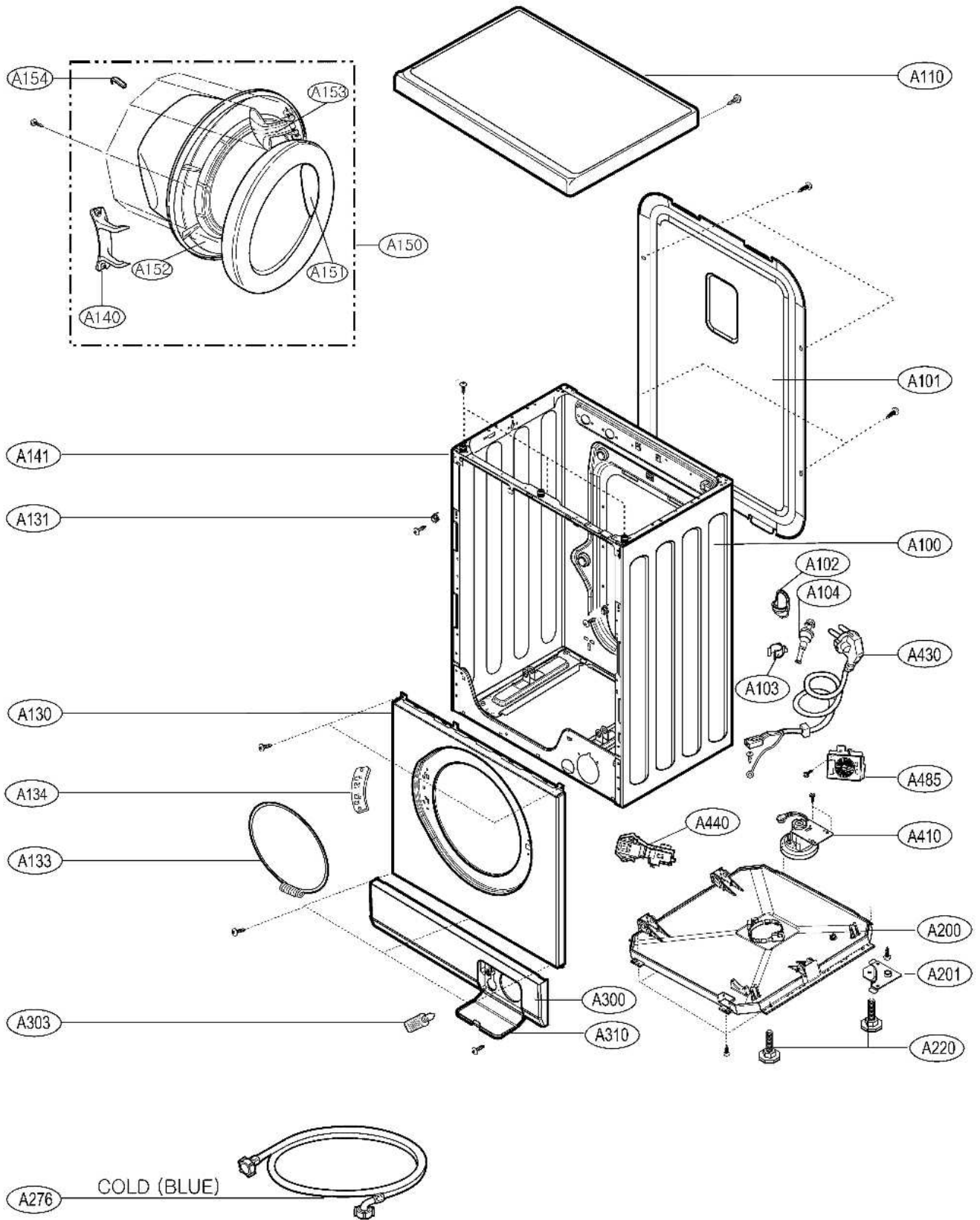
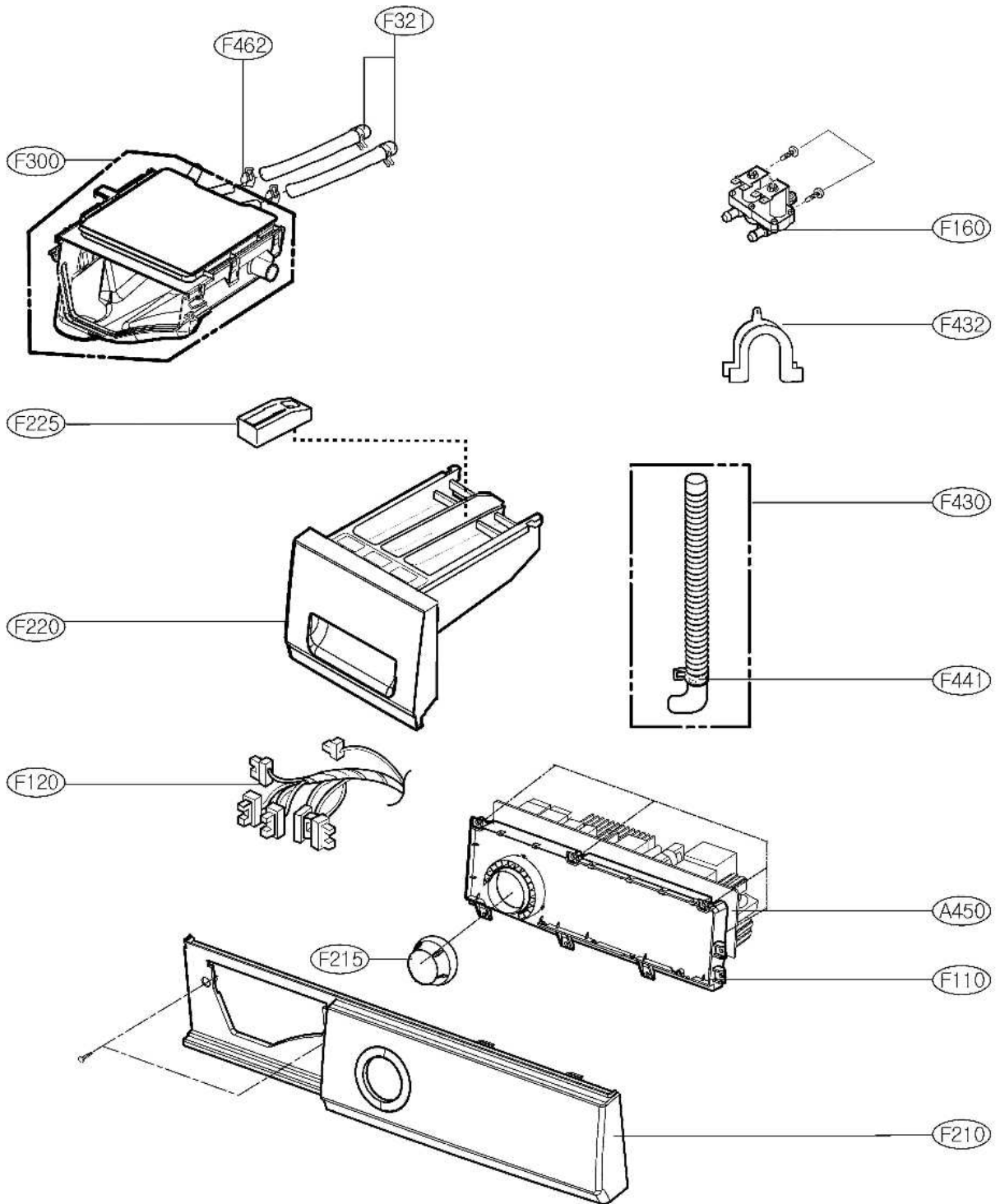


# 10. EXPLODED VIEW

## 10-1. THE EXPLODED VIEW OF CABINET ASSEMBLY



# 10-2 THE EXPLODED VIEW OF CONTROL PANEL & DISPENSER ASSEMBLY



\* Location No F216, Apply Model is  
WD-\*\*35(36)\*TD(K)

# 10-3 THE EXPLODED VIEW OF DRUM & TUB ASSEMBLY

