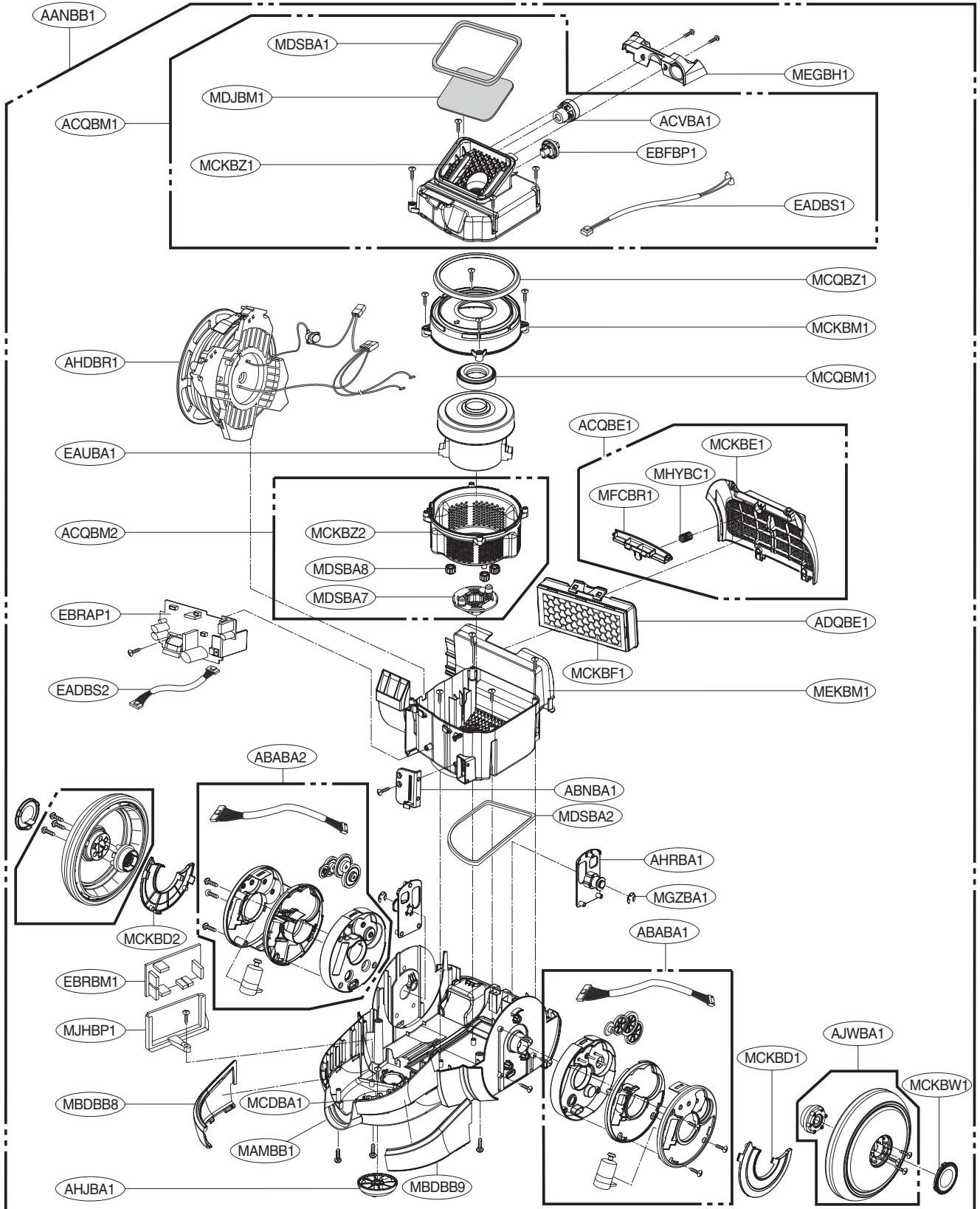


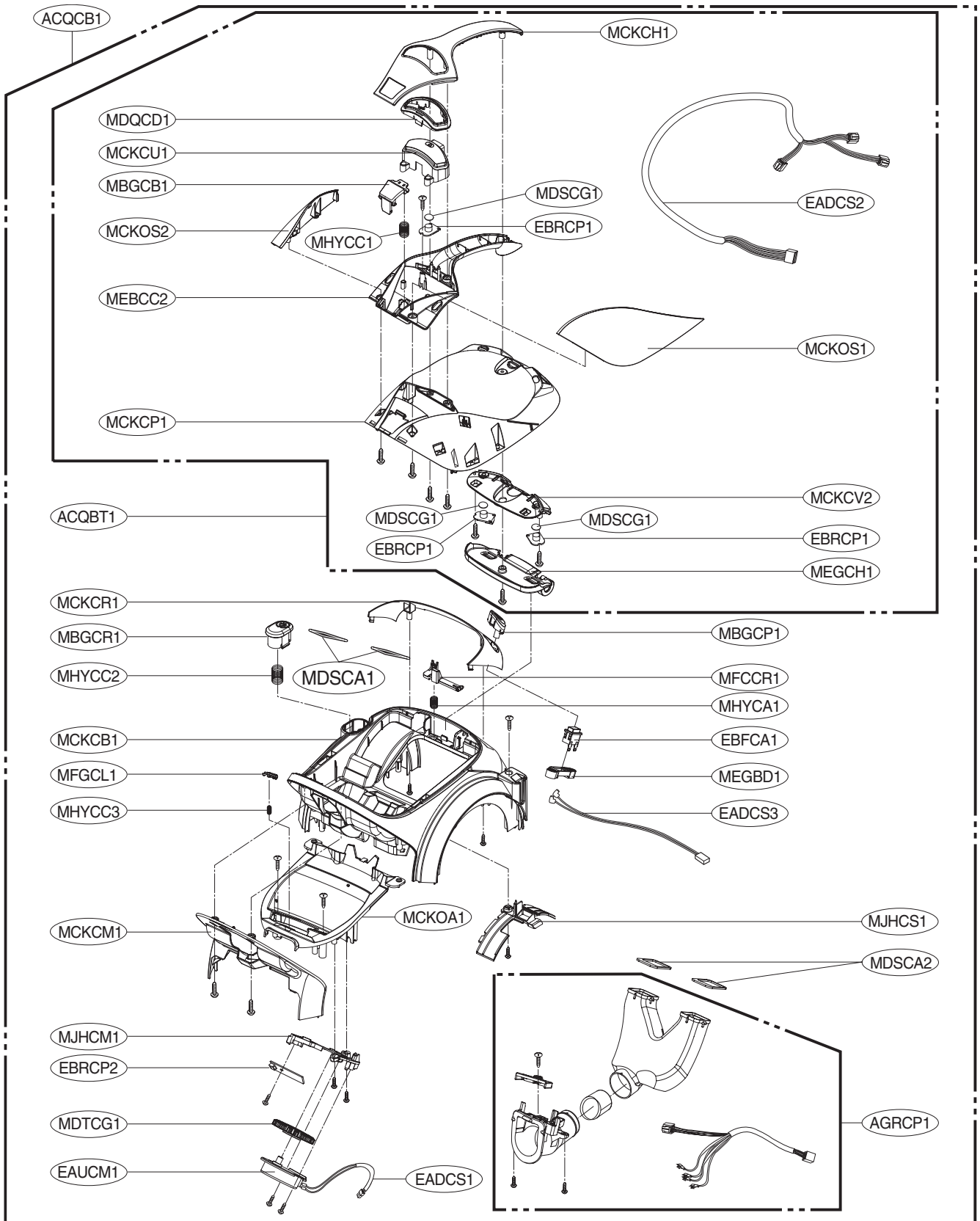
EXPLODED VIEW

BASE ASSEMBLY, BODY

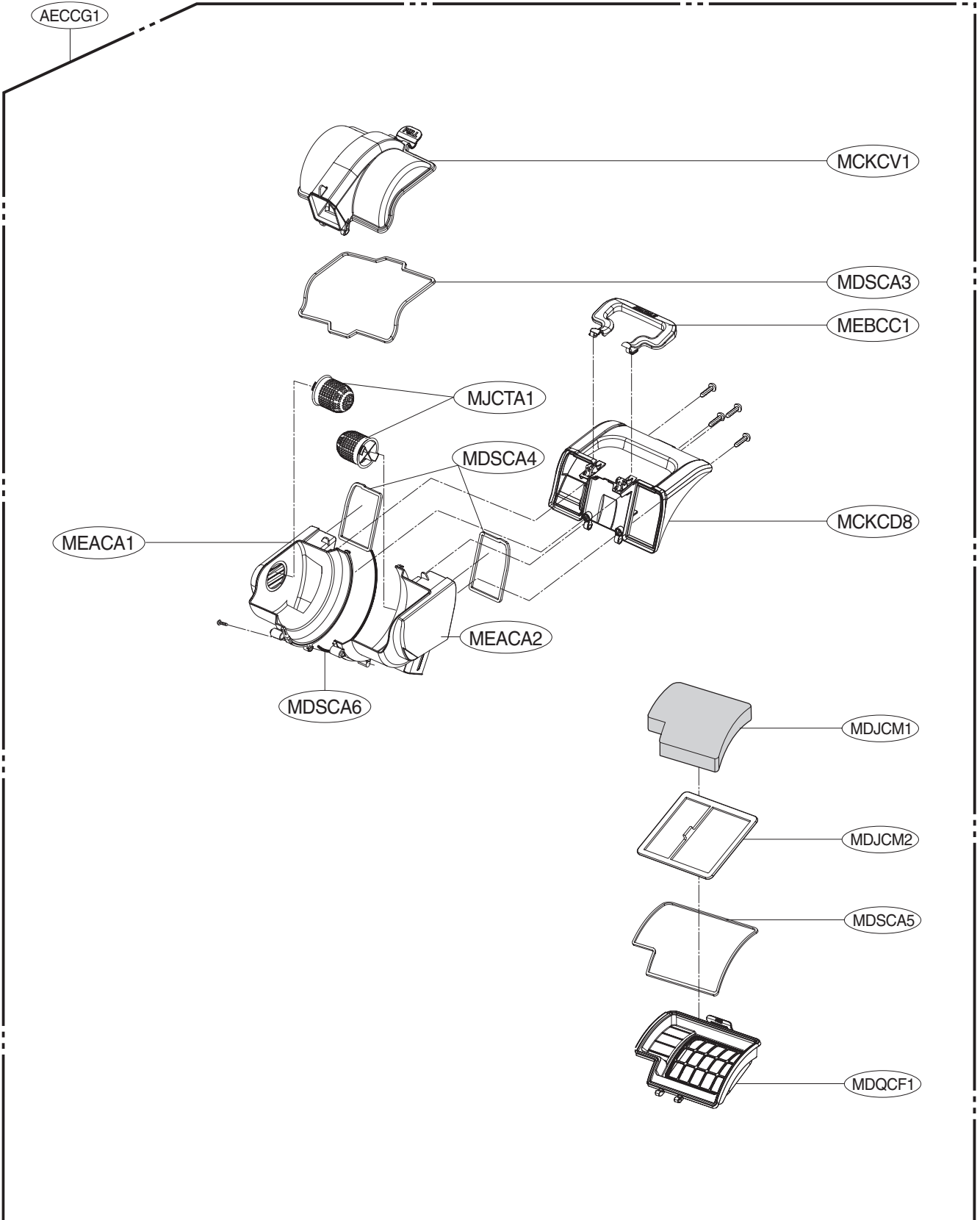
VC9227FM



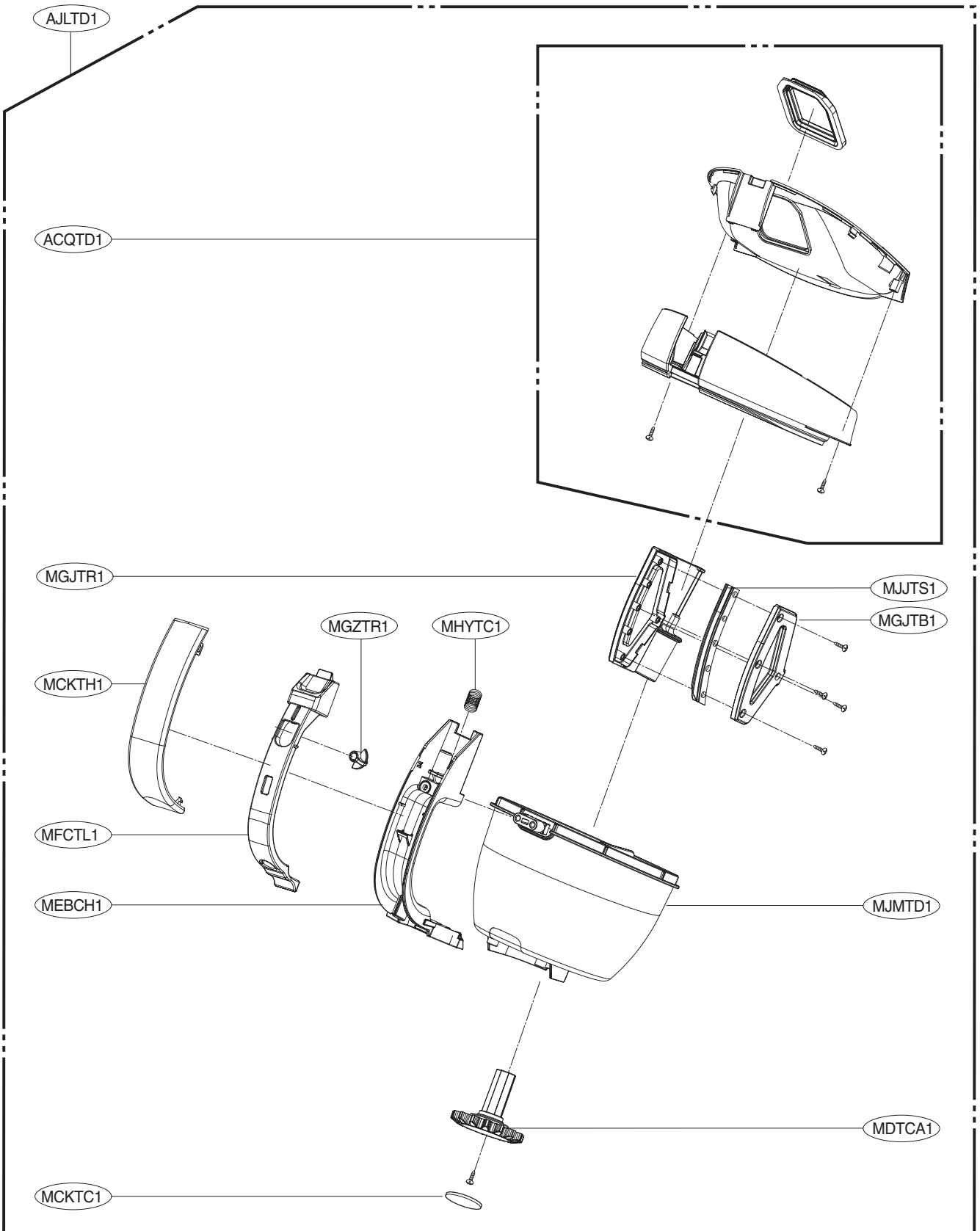
COVER ASSEMBLY, BODY



GUIDE ASSEMBLY, AIR



TANK ASSEMBLY, DUST



ACCESSORIES

