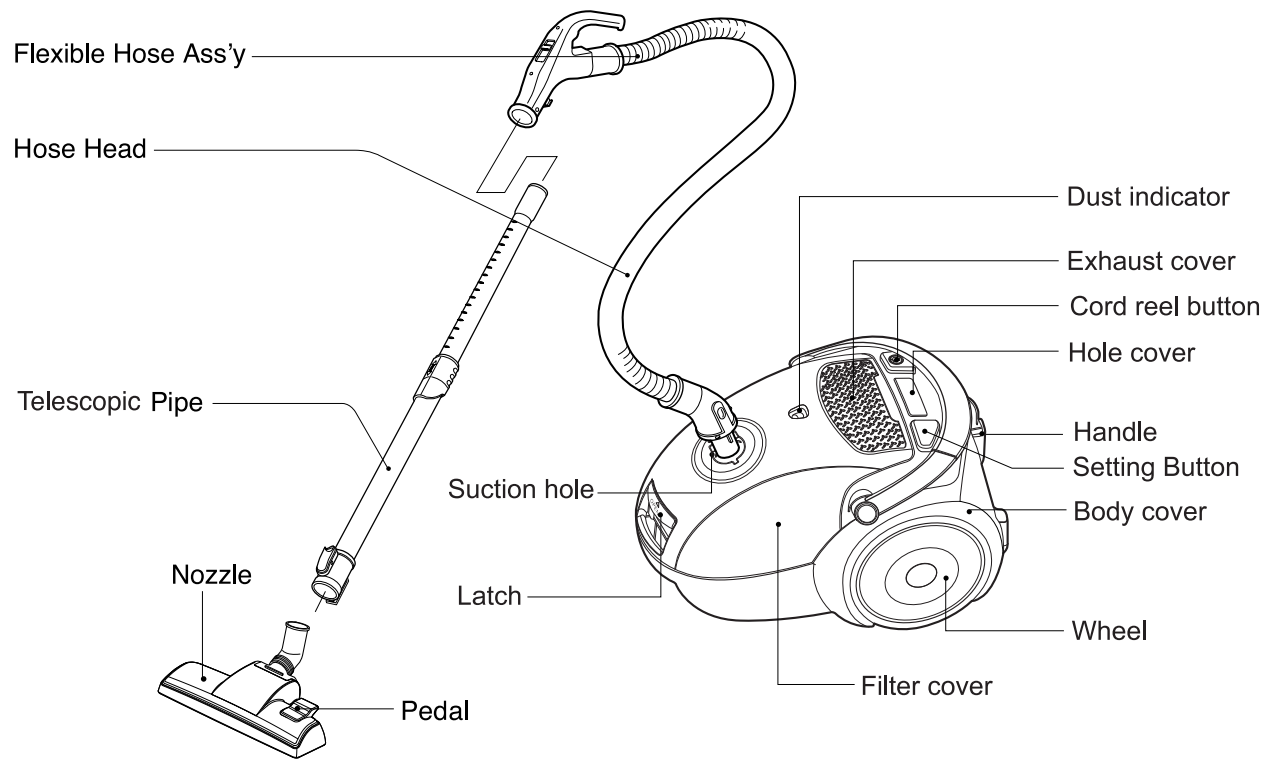
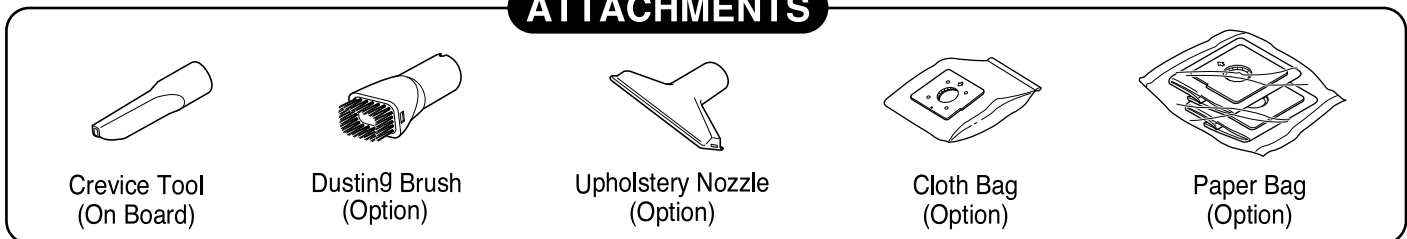


DESCRIPTION



ATTACHMENTS



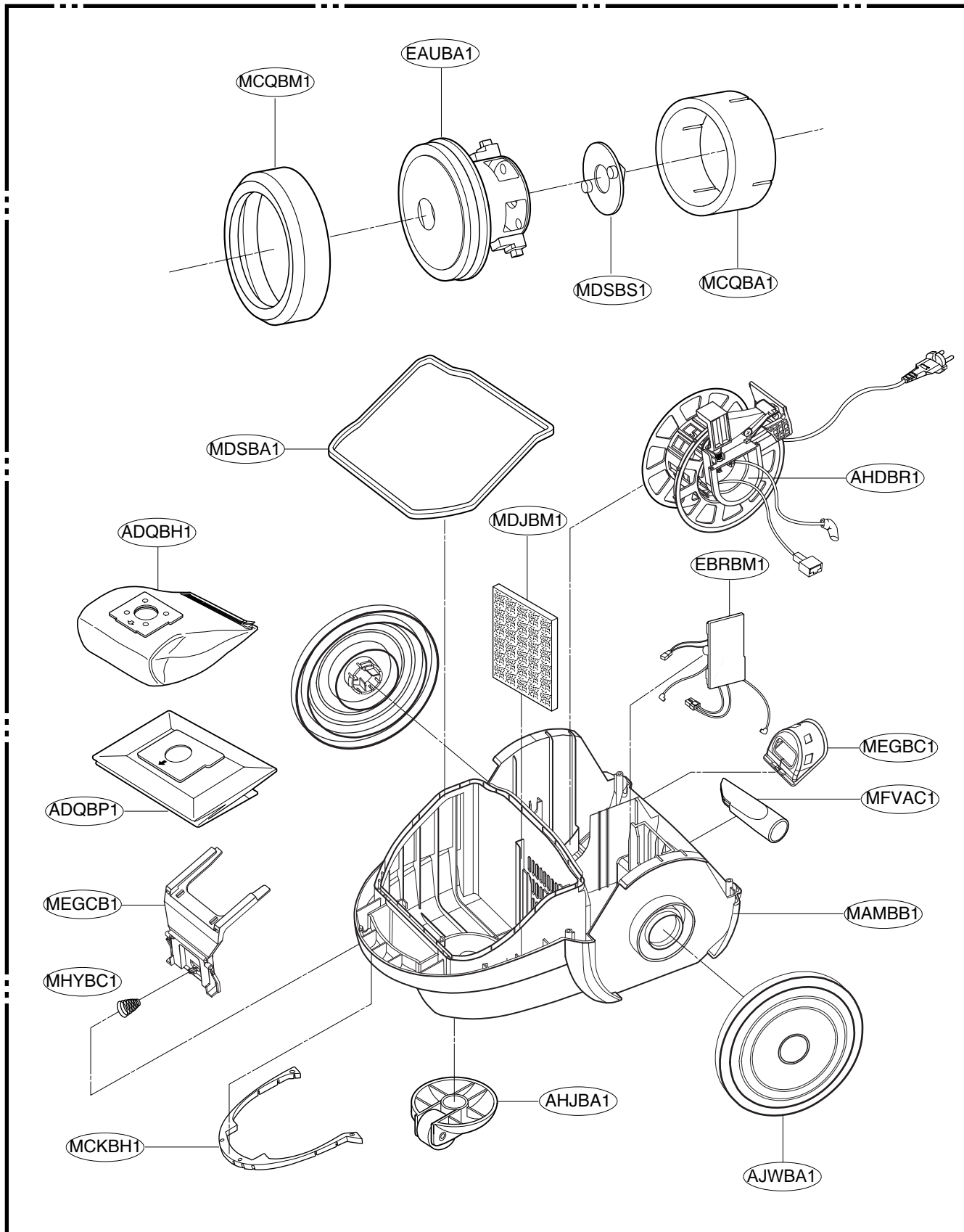
SPECIFICATIONS

- **MODEL** : REFER TO THE COVER PAGE
- **POWER SOURCE** : ON RATING PLATE
- **POWER CONSUMPTION** : ON RATING PLATE
- **POWER CONTROL** :
 - **MAIN** : HOSE SLIDE
- **CAPACITY** : 2.5 l
- **CORD LENGTH** : 6 m
- **HOSE LENGTH** : 1.5 m
- **NET WEIGHT** : 4.7 kg
- **PACKING WEIGHT** : 7.4 kg
- **NET DIMENSION** : 386 x 284 x 234 (W x D x H)mm
- **PACKING DIMENSION** :
 - 330 x 550 x 310 (W x D x H)mm - with telescopic pipe
- This specifications are subject to change according to the buyer's request.

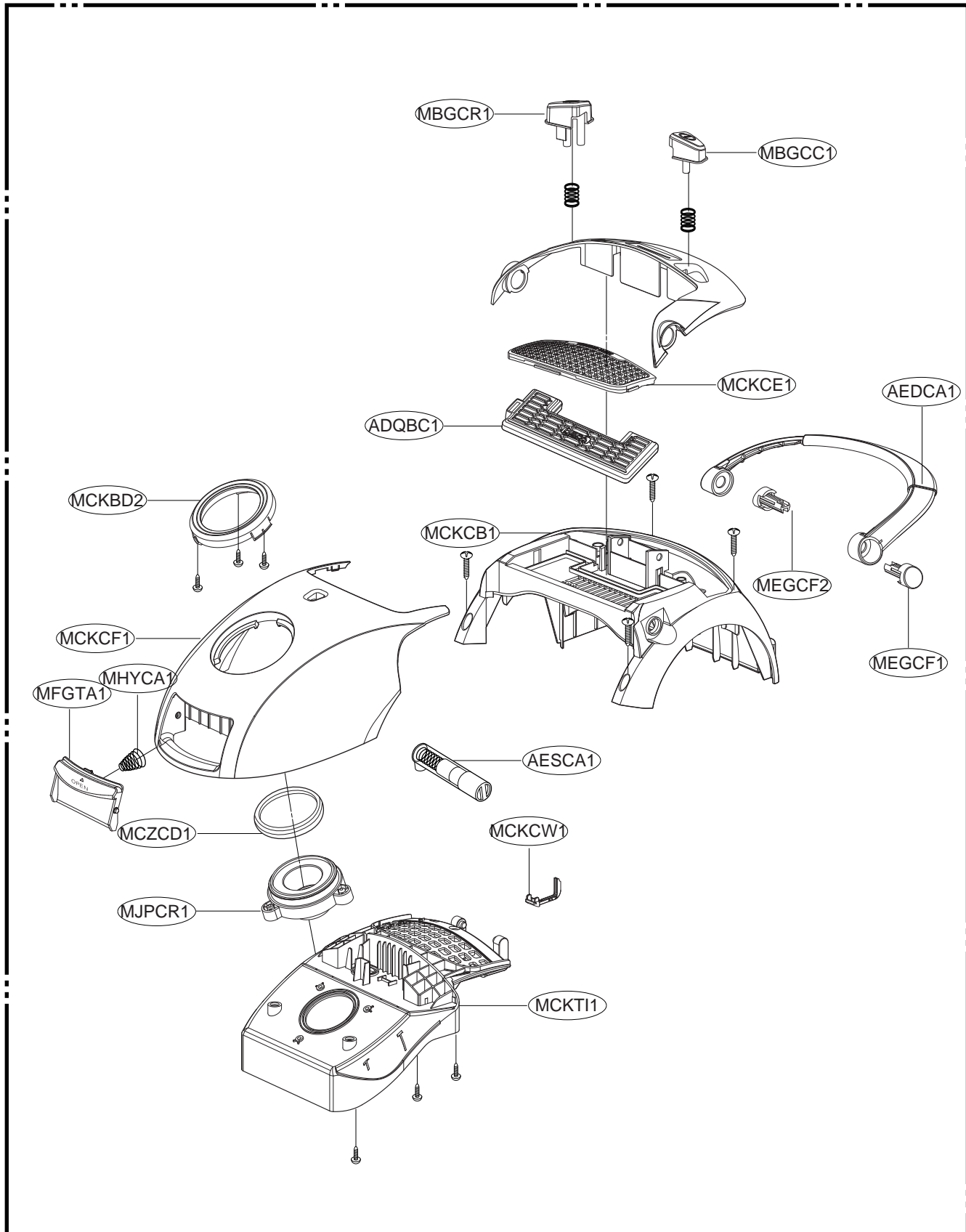
- **ATTACHMENTS**
- HOSE 1EA
- TELESCOPIC PIPE ASS'Y.....1EA
- NOZZLE ASS'Y1EA
- CREVICE TOOL (ON BOARD) 1EA
- DUSTING BRUSH (OPTION)1EA
- CLOTH BAG ASS'Y OR.....1EA
- PAPER BAG ASS'Y OR.....1EA
- UPHOLSTERY NOZZLE (OPTION).....1EA

EXPLODED VIEW

BASE ASSEMBLY, BODY



COVER ASSEMBLY, BODY



ACCESSORIES

