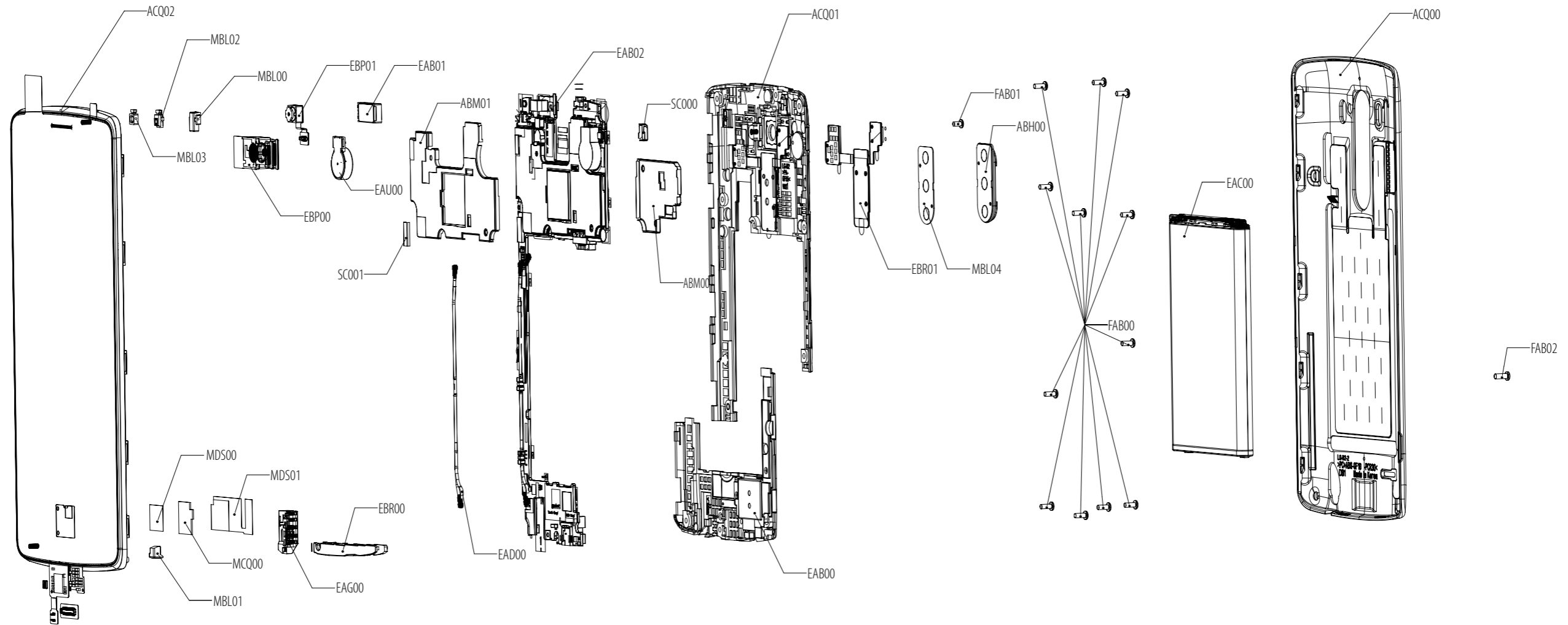


12. EXPLODED VIEW & REPLACEMENT PART LIST

12.1 EXPLODED VIEW(SBOM)



Location	Description	Location	Description	Location	Description	Location	Description	Location	Description
EAB00	Speaker Module	MBL02	Cap	MCQ00	Damper	FAB02	Screw, Tapping	ACQ00	Cover Assmebly, Battery
FAB00	Screw, Machine	MBL03	Cap	MDS01	Gasket	EBR02	PCB Assmebly, Main	EAC00	Rechargeable Battery, Lithium Ion
EAB01	Receiver	MDS00	Gasket	ACQ01	Cover Assembly, Rear	ABM00	Can Assembly, Shield		
EAG00	Jack, Phone	EAU00	Motor, DC	ABH00	Button Assembly	ABM01	Can Assembly, Shield		
ACQ02	Cover Assembly, Bar(Syb)	EBP00	Camera Module	MBL04	Cap	EAD00	Cable ,Assembly		
MBL00	Cap	EBP01	Camera Module	EBR01	PCB Assmebly, Flexible	SC000	Can, Shield		
MBL01	Cap	EBR00	PCB Assmebly, Sub	FAB01	Screw, Machine	SC001	Can, Shield		